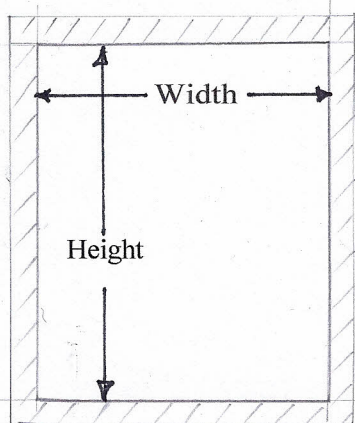


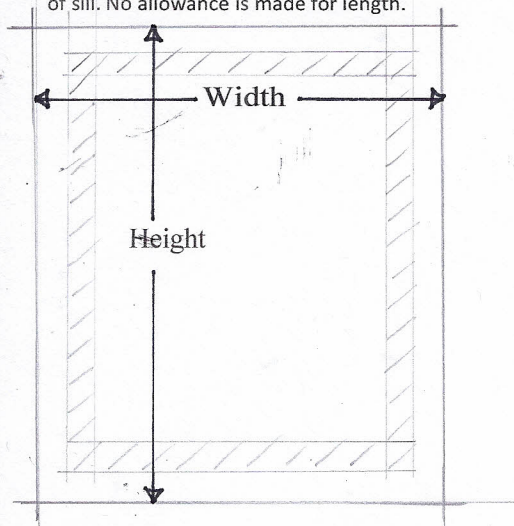
MEASURING INSTRUCTIONS



INSIDE MOUNTS

A. Width: Measure width of window at the top, center and bottom of window and use the narrowest measurement when ordering. Specify on order form if inside clearance has been allowed. We will deduct up to 1/4" from each side

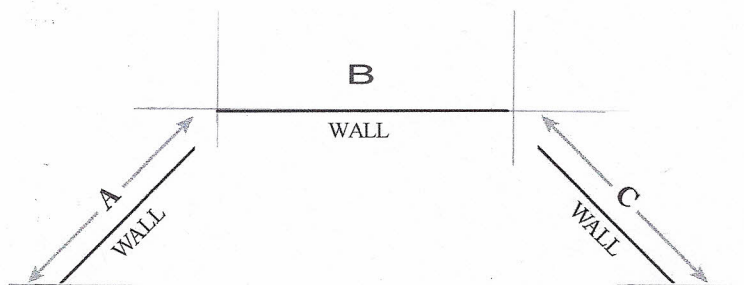
B. Length: Measure height of window from top of opening to top of sill. No allowance is made for length.



OUTSIDE MOUNTS

A. Width: Measure exact width of area to be covered. It is recommended that the shades extend past the actual window opening by a minimum of 2" on each side. Specify finished shade width; no allowance will be made.

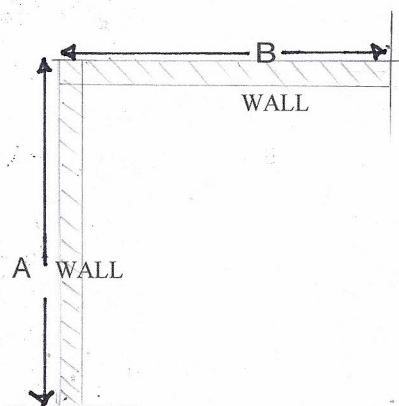
B. Length: Measure length of area to be covered allowing a minimum 2.5" at top of window to accommodate header board and brackets. Provide the finished shade length as no allowance will be made. At this point, you may want to take into account the stackage of the shade. On shade styles with a pouf, please specify whether length given is bottom or high point of pouf.



BAY WINDOW 45°

Please include the above diagram when ordering Bay window shades. Give actual back wall measurements for A, B, & C. We will make allowance for a 45° mitered installation.

Note: If angle is $\pm 45^\circ$ please supply angle of bay.



CORNER WINDOW 90°

Please include the above diagram when ordering corner window shades. Give actual back wall measurements A & B. We will make allowances for a 90° mitered corner installation.

Note: If angle is $\pm 90^\circ$ please supply angle of corner.

PLEASE NOTE: When our work room makes deductions for Corner and Bay windows, we plan for a mitered corner installation. We do not make deductions for a butt/pass installation unless specifically asked to do so on the order form.